

JULA+ (Battery powered)



Characteristics:

- Collimated laser beam available with either visible red or IR wavelength
- Laser adjustable in X-Y axis
- Laser easily adjusted after fitting in a system
- Battery powered
- Wide range of adjustment
- Tactical trigger
- Select from continuous to trigger operated mode by turning the battery cap.

Short description

The battery powered version of the JULA laser is a further addition to a wide range of products whose development is based on long experience in engineering and manufacturing of lasers ranging from pistol to military infantry rifle applications. The JULA Laser is designed especially as an ideal addition to other targeting devices such as Red Dot Sights, optical scopes and similar. The laser fitted can be selected from either a visible red laser or an IR laser. The laser has an integrated X / Y – axis adjustment with which the beam can be set within a maximal deviation of 0.12 mrad. The power supply is from the inserted battery. To fit the laser the outer diameters 22 mm and 18 mm are available.

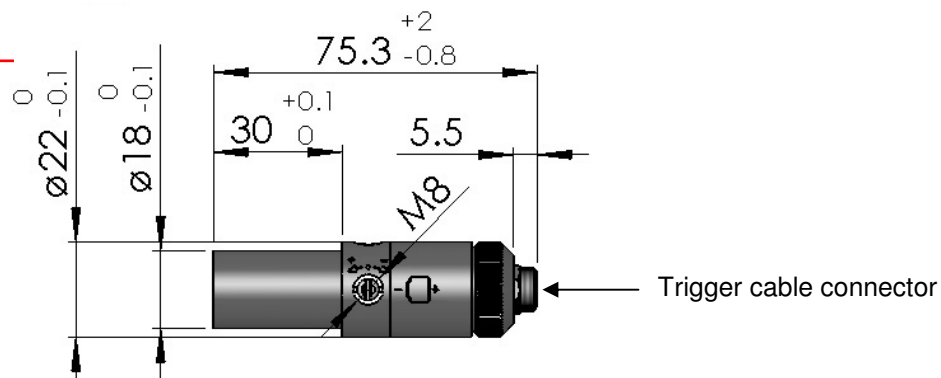
Technical Data and ordering information

Order information and technical data					
Part number	Wavelength	Optical output	Beam shape at aperture	Divergence	Laser class
0177-51-92-01	635..650 nm	<1 mW	5 x 2 mm	Typ 0.5 mrad	2
0177-50-92-01	830..850 nm	<0.7 mW	5 x 2 mm	Typ 0.5 mrad	1
Adjustment of laser beam		1 Click = 0.24 mrad	Adjustment range of laser beam		± 20 mrad
Power supply	Quantity	Power	Size	Type	Manufacturer
Battery	1	3 V	DL1/3N	LiMn02	Duracell

Unless otherwise indicated, all values at room temperature and under normal operation conditions

Warning: Laser beams can damage your eyesight. The user is solely responsible for the observation of the applicable safety regulations

Dimensions



I.L.E.E. AG - CH 8902 Urdorf

Tel +41 (0)44 736 11 11, Fax +41 (0)44 736 11 12

E-mail: office@ilee.ch / Internet: www.ilee.ch