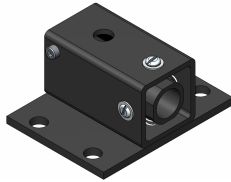
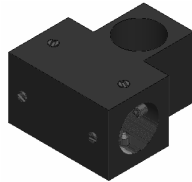


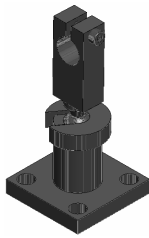
LDA- Holder



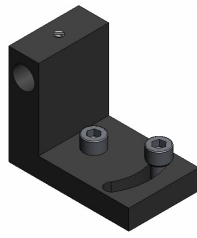
0023-01



0023-02



0023-03



0023-04

Characteristics:

- 0023-01: very precise fine adjustment
- 0023-02: simple height adjustment; precise alignment; fits standard
- 0023-03: Wide swivel angle ($\pm 20^\circ$), simple fixation
- 0023-04: Large radius adjustment ($\pm 30^\circ$), made from on piece

Description

To complement our LDA and LDM modules we developed a range of practical holders. The modules can be adjusted in at least two planes (except Type 0023-04). The holders are excuted in different precision ranggers. Each type is adjusted differently however the design allows to reach the desired position with a few simple move.

Each holder has spechfic features such as the fine adjustment system or height adjustmenr range..

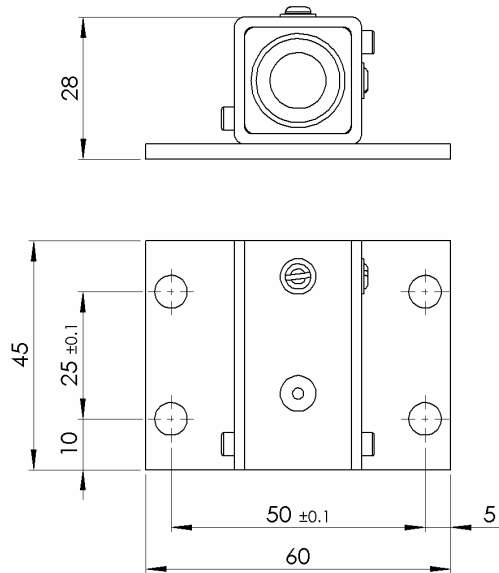
Technical Data

Criteria	0023-01	0023-2	0023-03	0023-04
X-Axis	+0.046 rad -0.039 rad	$\pm 0.105 \text{ rad}^1$	$2\pi \text{ rad (360}^\circ)$	$\pm 0.524 \text{ rad}$
Y-Axis	+0.046 rad -0.039 rad	$\pm 0.105 \text{ rad}^1$	$\pm 0.349 \text{ rad}$	-
Max. number of thread rotations	9	12	-	-
Base fixation	Hexagon-bolts M6 (4x)	Clamp screw M5	Hexagon-bolts M6 (4x))	Hexagon-bolts M6 (1x)
Module-Diameter	$\varnothing 11$	$\varnothing 11 - 15$	$\varnothing 11$	$\varnothing 11$

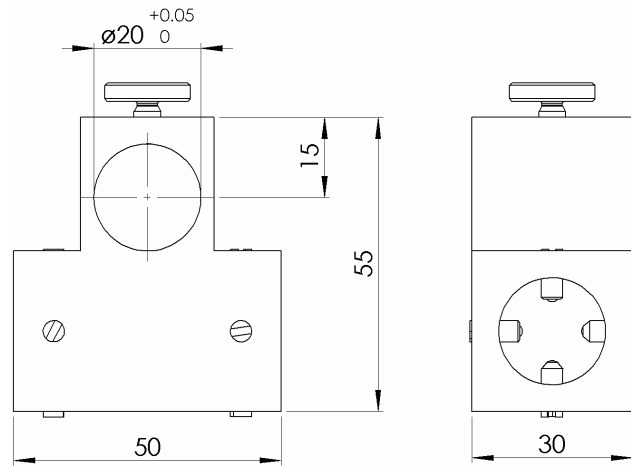
¹⁾ Correct for diameter $\varnothing 11$

Dimensions

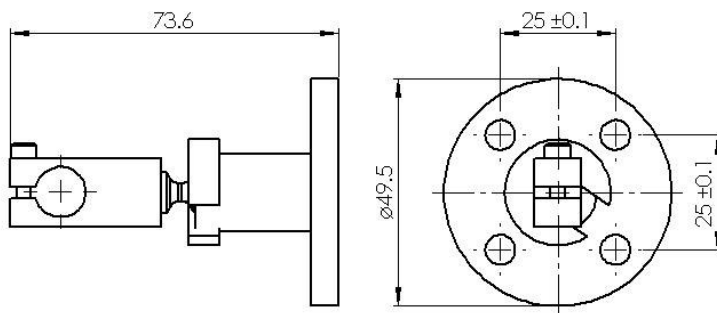
0023-01



0023-02



0023-03



0023-04

